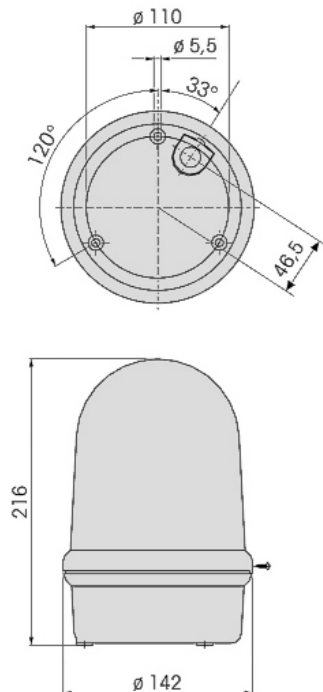




Light signalling LED beacon lamp IP 65



The beacon lamp is comprised of four rows of LED diodes in appropriate colour according to order. It is all-plastic with double insulation and IP 65 protection. The fixing points are at the bottom of the lamp as well as the rubber cable bushing. The beacon has no protection against cable pulling; therefore the cable must be mounted firmly all the way to the bushing. The picture below shows the recommended lamp position. This position is obligatory for outdoor use.



Technical parameters:

Dimensions	100 mm x 138,5 mm
Case	PC/ABS-transparent
Shade	PC - transparent
Mounting	- surface mounting - console mounting - pipe mounting
Connection	screw clamp 0.5 mm ² 1.5 mm ²
Cable	5-7 mm diameter

LED-steady-intermittent light, switchable light image

Interruption frequency	c. 1.5 Hz
Voltage	24V=
Input	<=150 mA

LED-light duration

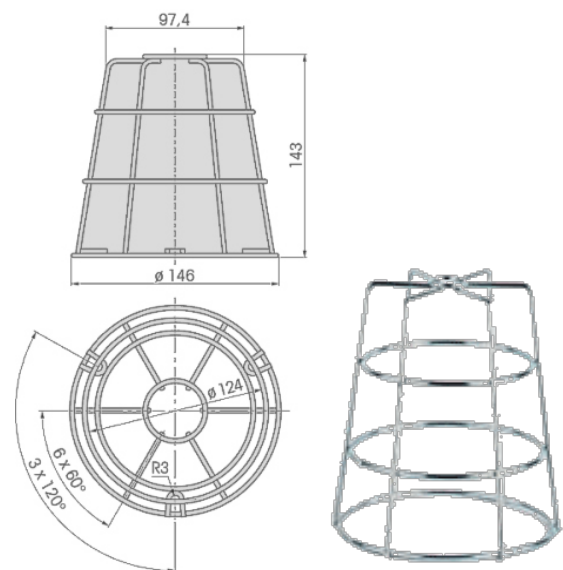
Voltage	115 V~ 230 V~
Input power	<=30 mA <=30 mA

LED-flashing rotating light switchable light image

Interruption frequency	c. 1.5 Hz
Rotation frequency	c. 180 rpm
Voltage	24 V=
Input	<=300 mA

LED-flashing light

Interruption frequency (c.)	1,5Hz 1,5 Hz 1,5 Hz
Voltage	24V= 115V~ 230V~
Input	<30mA <300mA <30mA



The catalogue has only those selected important parameters for your final decision. For project designs always ask for the user's guide for this product and any engineering consultation about possible uses.



Acoustic signalling electronic multiple-function alarm horn IP 65

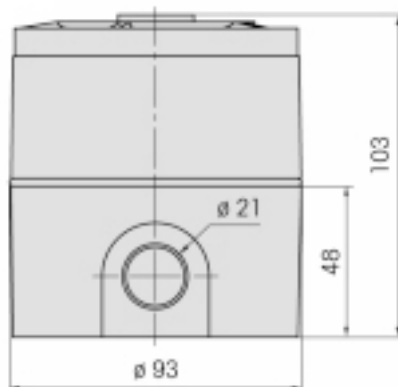
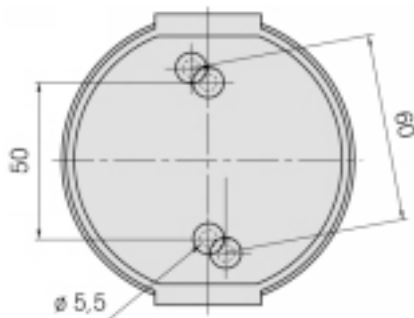
Description:

32 tones for various purposes; adjustable volume up to c. 110 dB.
External selection of 2 tones for the low voltage version.
IP 54 or IP 65 protection.



Technical parameters:

Dimensions	93 mm x 103 mm
Case	ABS
Connection	screw clamp max. 2.5 mm ²
Input	<30mA for 9-28V DC <45mA for 110-240V AC
Cable inlet	cable diameter max. 12 mm
Sonic frequency	selectable with coding switch
Tone	selectable with coding switch
Other	see tab. 140 multi-tone alarm horn



The catalogue has only those selected important parameters for your final decision. For project designs always ask for the user's guide for this product and any engineering consultation about possible uses.