

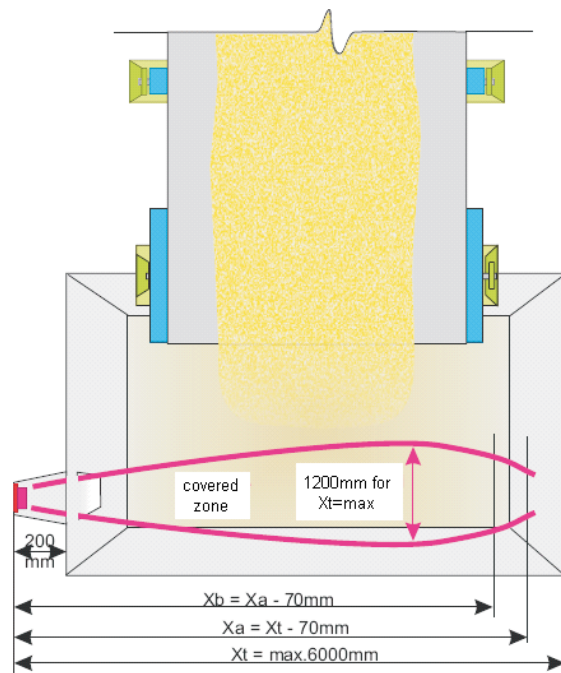
UMV-1 ultrasonic level measurement system



evaluation unit



probe reach 6 m or probe reach 1 m



Use

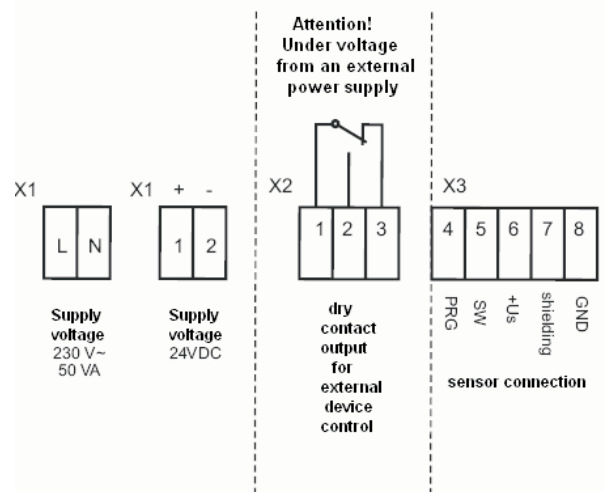
The UMV-1 system is designed for the evaluation of pulses from the distance sensor. The distance is sensed by means of a contactless ultrasonic sensor fixed vertically to the measured point. The sensor responds to the material level on the conveyor belt or at the transfer point by transmitting the adjusted distance in the form of a binary output; if it is within the adjusted range, the LED will light (see the user manual for the sensor). This signal is led to the evaluation unit which will transfer it to the output relay contacts. The output relay is closed, if the sensor is within the adjusted range! The unit also contains a time relay for the elimination of random fluctuation.

UMV1 description

The evaluation system is an assembly unit which is comprised of a UTP263-4, UTP213-4, UTS213-4 sensor and of the UMV 1 evaluation unit with a display.

The UTP263-4, UTP213-4, UTS213-4 sensor is designed for distance measurements and it can be used to measure (detect material) on the conveyor belt or to guard the transfer point. The general construction of the sensor is shown in the picture.

The UMV 1 evaluation unit with four relays is designed to transfer the signal from the sensor to the output relay contacts. The unit is comprised of a power supply, relays and a modular terminal block, all placed on a DIN moulding.



The catalogue sheet contains only some parameters important for your decision. For planning always require a corresponding user manual and eventually a technical consultation on the possibilities of use.

UMV-1 ultrasonic level measurement system with PID regulator



evaluation unit



probe reach 6m



probe reach 1m

Use

The UMV-1 system with PID regulator is designed for the evaluation of pulses from the distance sensor used to sense distance and determine distance by virtue of the PID regulator. The distance is sensed by means of a contactless ultrasonic sensor fixed vertically to the measured point.

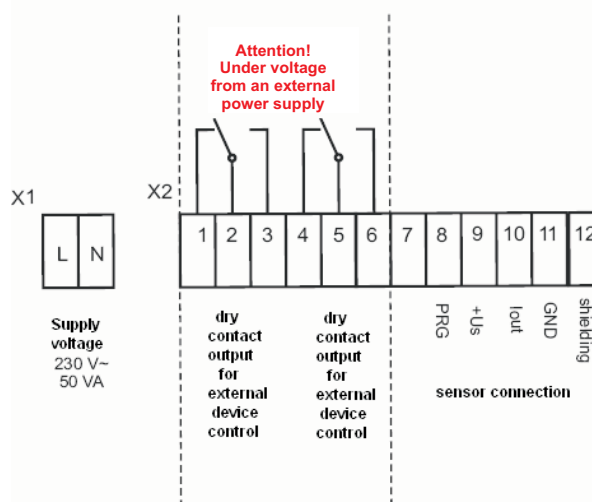
The sensor responds to the material level on the conveyor belt or at the transfer point by transmitting the adjusted distance in the form of 4...20mA; if it is within the adjusted range, the LED will light (see the user manual for the sensor). This signal is led to the evaluation unit of the PID regulator which will transfer it to the output relay contacts. The output relay is closed, if the sensor is within the adjusted range! See the user manual for the PID regulator. The unit also contains a stabilized power supply for the sensor.

Description

The evaluation system is an assembly unit which is comprised of a UTP261-4, UTP211-4, UTS211-4 sensor and of the UMV 1 evaluation unit with a display.

The UTP261-4, UTP211-4, UTS211-4 sensor is designed for distance measurements and it can be used to measure (detect material) on the conveyor belt or to guard the transfer point. The general construction of the sensor is shown in the picture.

The UMV 1 evaluation unit with four relays is designed to transfer the signal from the sensor to the output relay contacts. The unit is comprised of a power supply, relays and a modular terminal block, all placed on a DIN moulding.



The catalogue sheet contains only some parameters important for your decision. For planning always require a corresponding user manual and eventually a technical consultation on the possibilities of use.