



## Lankový nouzový spínač SNS 2x



### Technical specifications:

|                       |   |
|-----------------------|---|
| It meets these norms  | ČSN EN 60947<br>ČSN EN 292<br>ČSN EN 418<br>ČSN EN 620              |
| Switching track       | ca 4mm  |
| Housing               | aluminum alloy  |
| Load capacity         | 400 VAC 4A/230 VAC<br>6A/102 VDC 1A                                 |
| Contacts              | 2 open  |
| Outlet guide          | 1 x Pg 16 threaded<br>hole or adapter<br>(accessories)<br>1/2" NPTF |
| Mechanical resistance | 1 million cycles, min.  |
| Degree of protection  | IP 67   |
| Mounting              | 4 holes for<br>M5 screws  |
| Operating temperature | -25°C ... +80°C   |
| Weight                | 0.4 kg  |

### Application:

Emergency pull cord switches are used to quickly shut down conveyor belts or other large machinery and equipment from any location. Pulling on the cord connected to the switch causes an emergency shutdown. Emergency pull cord switches are activated even when pulled inadvertently, such as a person running or falling into the line or caught in the machinery and pulling on the cord.

### Description:

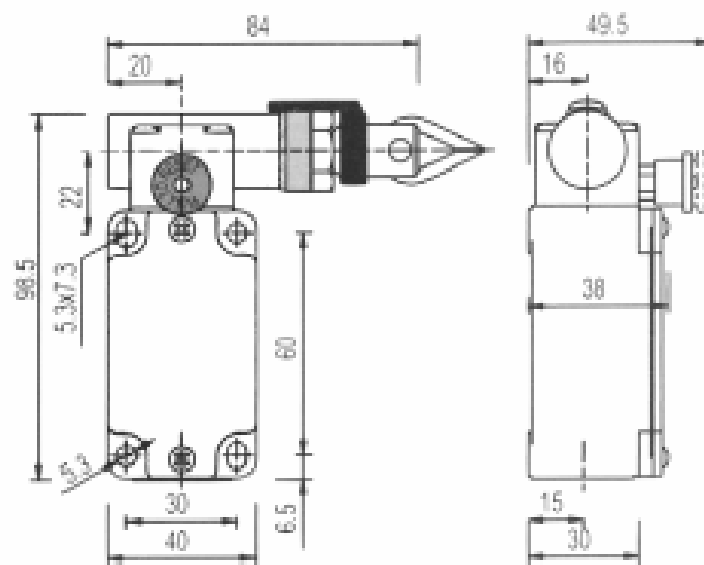
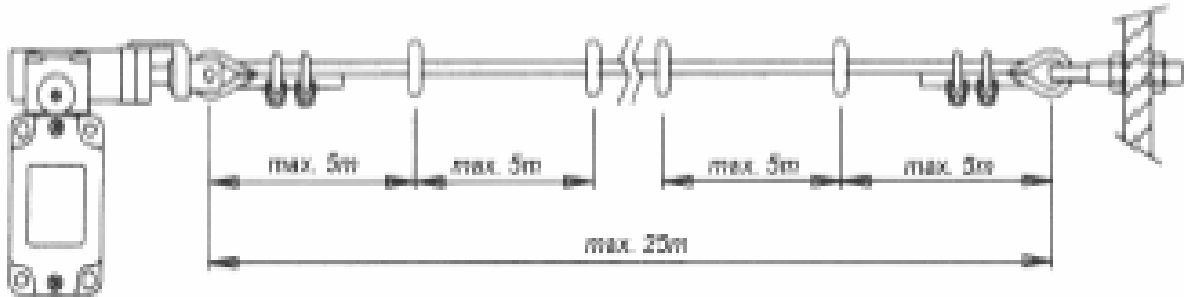
The cord switch works as a switch operated by a cord. The switch itself is equipped with four mounting holes, operating rod adapted for attaching the cord, a lock button and a threaded hole for cable gland. Inside, the unit is equipped with a trigger and one microswitch. The cord is an essential accessory for the switch. In addition, other accessories can also be used for easier and better quality of installation: eyebolt for the cord, cord clamps, tightening screws and eyelets for guiding the cord.

**The catalogue has only those selected important parameters for your final decision. For project designs always ask for the user's guide for this product and any engineering consultation about possible uses.**



## SNS 2x emergency pull cord switch

The switch is mounted with four M5 screws suitable for the openings in the switch housing attached to a flat, stable bracket, such that the plunger rod is in the direction of the cord.



The catalogue has only those selected important parameters for your final decision. For project designs always ask for the user's guide for this product and any engineering consultation about possible uses.