



Stationary Camera KR-02



Certificate: ATEX



KR-02

Technical Specifications:

Design	I M2 Ex de I
Supply voltage	12VDC / 230VAC
Power input	5W / 5.5VA
Camera resolution	2048x1536 3 M CCD
Image format	MJPEG
Data output	Ethernet 10/100 Mbit/sec
Ambient temperature	0 to +40°C
Relative humidity	95% non-condensing
Protection	IP54
Dimensions	φ130 x 458mm
Weight	23.5kg

The appearance of the IP camera installed in the instrument area of the KR-02 case.



Application:

The stationary camera KR-02 serves for transmitting a video-signal from the camera to a modem case or PC. The stationary camera is intended for the use in underground and surface mines with a higher methane explosion hazard. The stationary camera forms part of the KS-02 camera system.

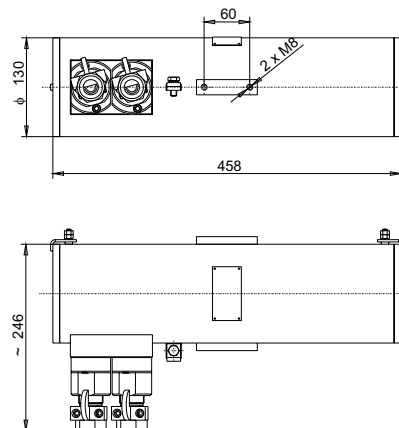
Description and Functions:

The case of the stationary camera KS-02 is made of a solid closure with an eye sight. The instrument area is made as the Ex d design and the terminal box area is made as the Ex d design.

In the instrument area of the KR-02 case there is a camera with an adjustable IP address, a reduction of the Ethernet connection and optionally a supply source. In the terminal box area there are screwless terminal blocks, secured design for connecting conductors with the cross-section of 2.5 mm². On the terminal block part there are two non-explosive bushings. Flanges for attaching the stationary camera by means of four M8 screws to a suitable structure are welded on the sides of the case.

The KR-02 case is supplied with the supply voltage of 12 VDC or 230VAC – according to the order. Free couples in the Ethernet cable can be used for the supply in supplying 12VDC. A modem ZSBE-M case can be used for supplying the KR-02 case with the voltage of 12VDC which has a brought-out supply voltage of 12VDC to the terminal block.

The installed IP camera supports every common network protocol for transmitting image data. An object lens with a variable focal distance with the range from 3.1 to 8 mm is used for displaying.



Dimensions of the stationary camera KR-02.

The catalogue has only those selected important parameters for your final decision. For project designs always ask for the user's guide for this product and any engineering consultation about possible uses.